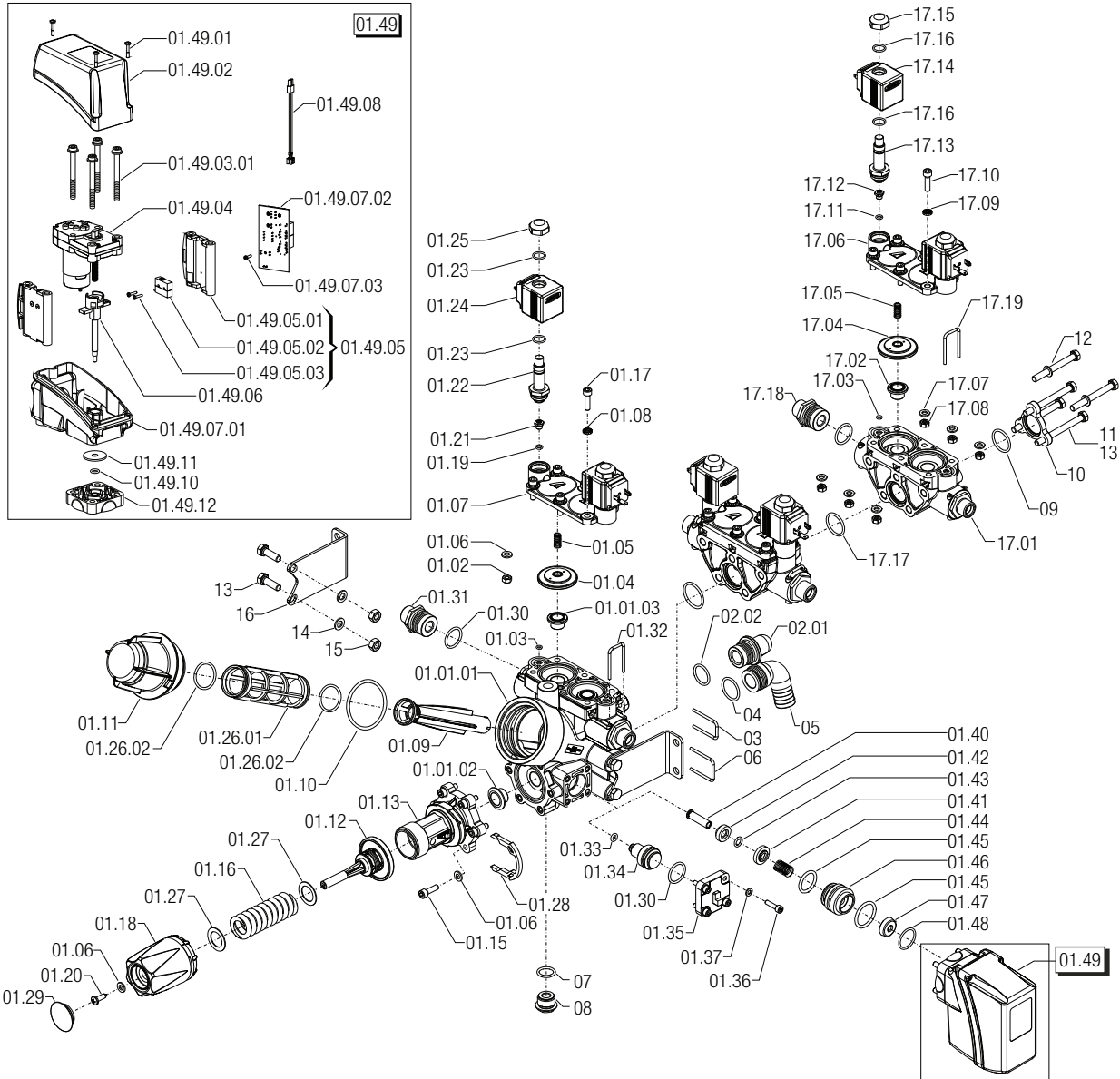


GRUPPI DI COMANDO A SOLENOIDE PER ATOMIZZATORI
CONTROL UNITS WHIT SOLENOID VALVES FOR ORCHARD SPRAYERS

SERIES

CODE

481814202
 481814204
 481814206
 481914202
 481914204
 481914206



GRUPPI DI COMANDO A SOLENOIDE PER ATOMIZZATORI
CONTROL UNITS WITH SOLENOID VALVES FOR ORCHARD SPRAYERS

CODE	SERIES					
	Rif.	Code	Note	Rif.	Code	Note
481814202	01.01.01	481800.010		17.02	481600.011	
481814204	01.01.02	465005.012	Forchetta/Fork Coupling T5	17.03	G11073V	1,78x3,69mm - Viton®
481814206	01.01.03	481600.011		17.04	481600.500	
481914202	01.02	B10241		17.05	481600.022	
481914204	01.03	G11073V	1,78x3,69mm - Viton®	17.06	481600.020	
481914206	01.04	481600.500		17.07	B202F0	
	01.05	481600.022		17.08	B10241	
	01.06	B202F0		17.09	B232F0	
	01.07	481600.020		17.10	V1C24J	
	01.08	B232F0		17.11	550001.150V	1,78x5,28mm - Viton®
	01.09	481000.030		17.12	481600.021	
	01.10	G11017V	3,53x53,57mm - Viton®	17.13	481600.202	
	01.11	481000.020		17.14	481600.201	
	01.12	465005.180		17.15	481600.204	
	01.12.01	465005.100		17.16	G11015	1,78x12,42mm - EPDM
	01.12.02	465005.140	2,62x22,22mm - EPDM	17.17	465005.140V	2,62x22,22mm - Viton®
	01.12.03	465005.090		17.18	463001.220	
	01.12.04	465005.080		17.19	010002	T2
	01.12.05	V1F24I				
	01.13	475500.020				
	01.15	V1C24I				
	01.16	465004.120	Flangiato/Flanged T5 873 - 40 bar/580 PSI			
	01.17	V1C24J				
	01.18	475500.030				
	01.19	550001.150V	1,78x5,28mm - Viton®			
	01.20	V2B26G				
	01.21	481600.021				
	01.22	481600.202				
	01.23	G11015	1,78x12,42mm - EPDM			
	01.24	481600.201				
	01.25	481600.204				
	01.26.02	322000.050V	2,62x28,25mm - Viton®			
	01.27	471502.135				
	01.28	475500.040				
	01.29	4542237.059				
	01.30	465005.140V	2,62x22,22mm - Viton®			
	01.31	463001.220				
	01.32	010002	T2			
	01.33	G11011V	2,62x5,23mm - Viton®			
	01.34	481800.011				
	01.35	463051.131				
	01.36	V1C23I				
	01.37	B202E0				
	01.40	481900.050				
	01.41	481900.051				
	01.42	463001HS.060				
	01.43	465910.070V	1,78x6,75mm - Viton®			
	01.44	401003.031				
	01.45	004500.070V	2,62x17,86mm - Viton®			
	01.46	471202.011				
	01.47	465900.180				
	01.48	465900.060	1,78x18,77mm - Viton®			
	01.49	8650900				
	01.49.01	V6B21F				
	01.49.02	8650900.030				
	01.49.03.01	V1Q130				
	01.49.04	8650900.100				
	01.49.05	8650900.020				
	01.49.05.01	8650900.021				
	01.49.05.02	8650900.025				
	01.49.05.03	V2B30D				
	01.49.06	8650900.080				
	01.49.07.01	8650900.011	Serie 863-873/Series 863-873			
	01.49.07.02	8650900.015				
	01.49.07.03	V2B30D				
	01.49.08	8650900.016				
	01.49.10	G11019V	1,78x6,07mm - Viton®			
	01.49.11	4652900.012				
	01.49.12	4652900.060				
	02	463001.D30				
	02.02	465005.140V	2,62x22,22mm - Viton®			
	03	010002	T2			
	04	G11058V	2,62x25,07mm - Viton®			
	05	1191325				
	06	010003	T3			
	07	403000.060V				
	08	5062400.081				
	09	322000.050V	2,62x28,25mm - Viton®			
	10	481600.120				
	11	V1M258	4vie/4ways - 8x140mm			
		V1M25X	2vie/2ways			
	12	V1M256				
		V1M25V				
	13	V1M25K				
	14	B202H0				
	15	B10251				
	16	463911.101				
	17.01	481600.010				

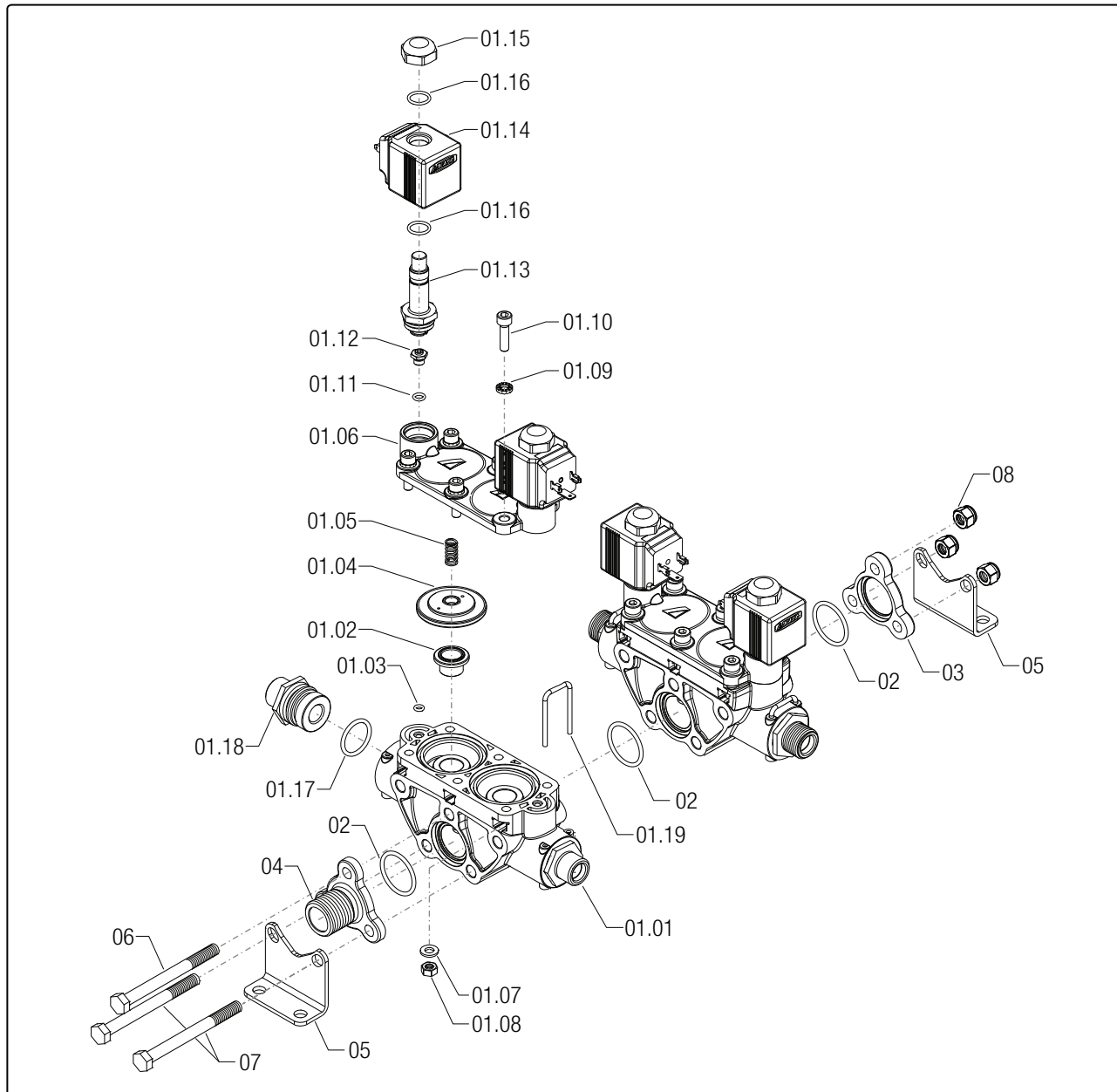
GRUPPI DI COMANDO A SOLENOIDE PER ATOMIZZATORI
CONTROL UNITS WHIT SOLENOID VALVES FOR ORCHARD SPRAYERS

B | **9**
 SECTION | TABLE

SERIES

CODE

481600002
 481600004



Rif.	Code	Note
01.01	481600.010	
01.02	481600.011	
01.03	G11073V	1,78x3,69mm - Viton®
01.04	481600.500	
01.05	481600.022	
01.06	481600.020	
01.07	B202FO	
01.08	B10241	
01.09	B232FO	
01.10	V1C24J	
01.11	550001.150V	1,78x5,28mm - Viton®
01.12	481600.021	
01.13	481600.202	
01.14	481600.201	
01.15	481600.204	
01.16	G11015	1,78x12,42mm - EPDM
01.17	465005.140V	2,62x22,22mm - Viton®
01.18	463001.220	
01.19	010002	T2
02	322000.050V	2,62x28,25mm - Viton®
03	481600.120	
04	481600.030	
05	463911.102	
06	V1M258	4vie/4ways - 8x140mm
	V1M25X	2vie/2ways
07	V1M25Y	2vie/2ways
	V1M258S	4vie/4ways
08	B12251	

ARAG
 SPARE PARTS